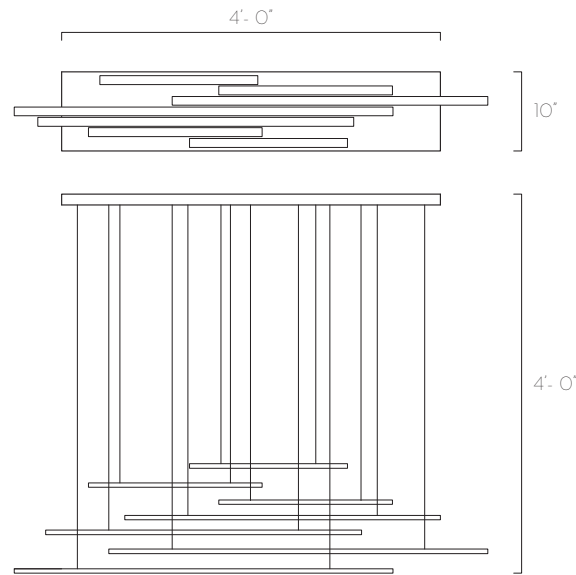


FLYING LINES 7

LED PANELS



DESCRIPTION

Introduce an architectural, timeless, and sophisticated light fixture to your space with AM Studio's LED Flying Lines. Sleek brass panels are hand-machined to house the dimmable LED bulbs, and stagger down from a white ceiling base using thin electrical wires. This modern fixture is perfect for above a dining table, kitchen island, reception desk or spaces that require good task lighting.

TECHINCAL SPECIFICATIONS

Designed by
AM Studio Team

Category
Pendant Chandelier

Canopy Finish
Powder coated metal in Flat White

Canopy Size
48"L x 10"W x 1.5"H

Penal Size

1 unit: 48"L x 1 1/8"W x 9/16"H (6 LEDs)
2 units: 40"L x 1 1/8"W x 9/16"H (5 LEDs)
2 unit: 22"L x 1 1/8"W x 9/16"H (3 LEDs)
2 units: 20"L x 1 1/8"W x 9/16"H (2 LEDs)

Penal Colour: Brushed Nickel Finish

Total Drop
4'H + 2' extra wire for adjustment

Bulb
Dimmable 1W

Recommended Dimming Switch
Lutron CTCL-153PD
Lutron Pro

Transformer: Dimmable LED Voltage Driver
MEAN WELL Power Supply
PCD 16-350mA/ PCD 25-350mA
Input 120V

Electrical Outlet needed: 1

Catalogue # FL-7-48R



UL Listed



CSA Certified

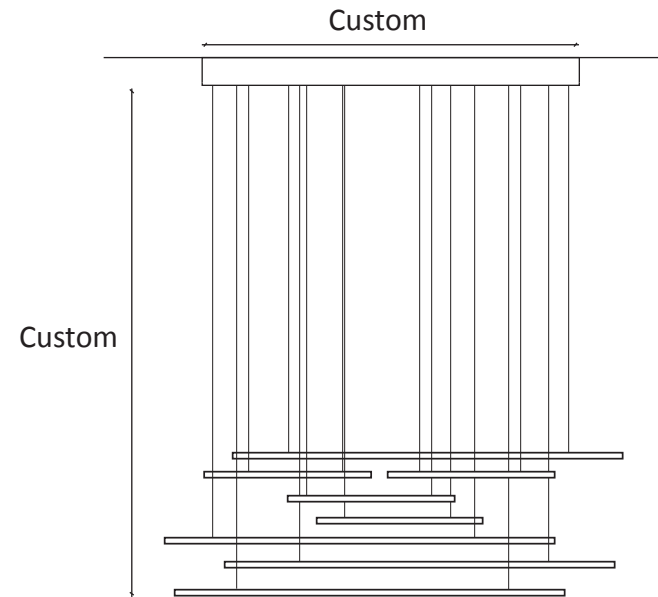
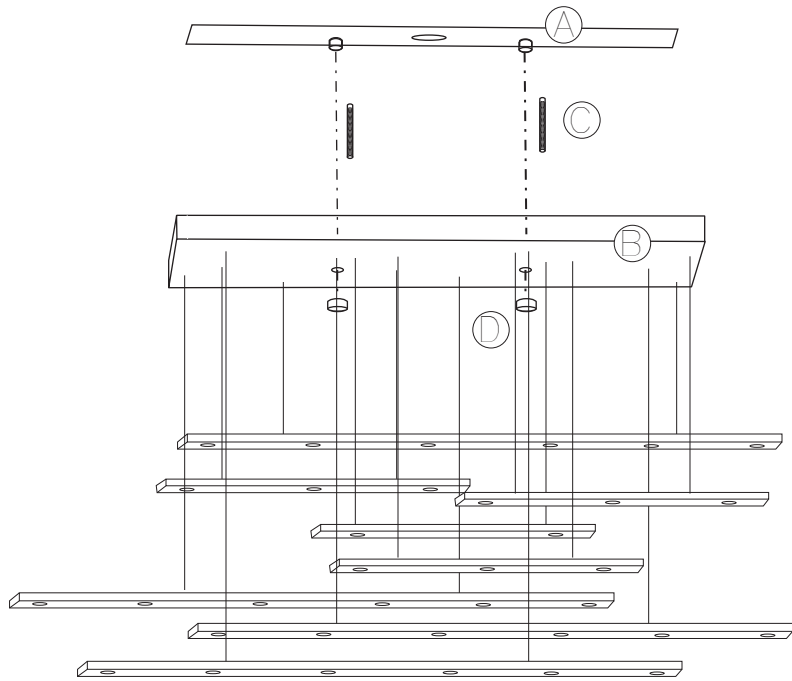


Made in Canada



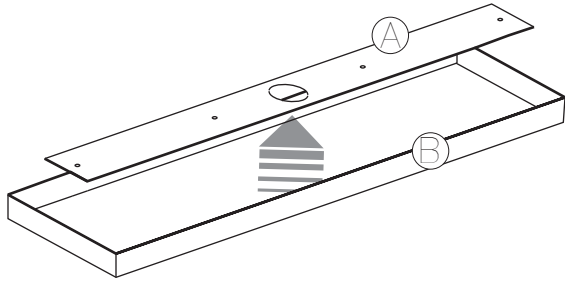
Note: Due to the nature of our handmade work, there may be slight variances in the finishes. AM Studio light fixtures are made to order, handmade and created in Toronto, Canada.

AM STUDIO CUSTOM LIGHTING | 80 Kincort St. Toronto, M6M 5G1 | +1 (416) - 783 4100 | info@amstudio.ca | www.amstudio.ca



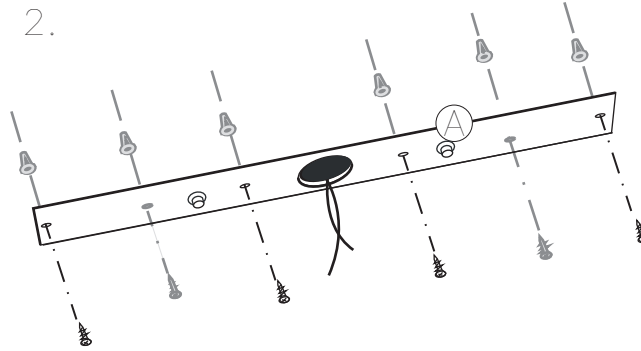
- Ⓐ x1 Bridge
- Ⓑ x1 Base
- Ⓒ x2 Support Rods (temporary mounting only)
- Ⓓ x2 Button Head Screws
- Ⓔ Pendants , 3 sizes (See instructions page 3)

1.



Separate (A) from (B)

2.




Mount (A) to the ceiling.

Note: When mounting be sure to locate and mount (A) to a joist/ceiling beam

If you cannot do so, be sure to use drywall screws and anchors, drill additional holes for mounting for better support

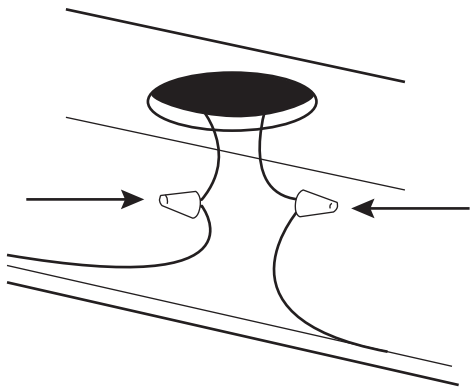
5.

Test lights by turning on power

 *Make sure bulb is not touching the glass!*

Turn off power after testing

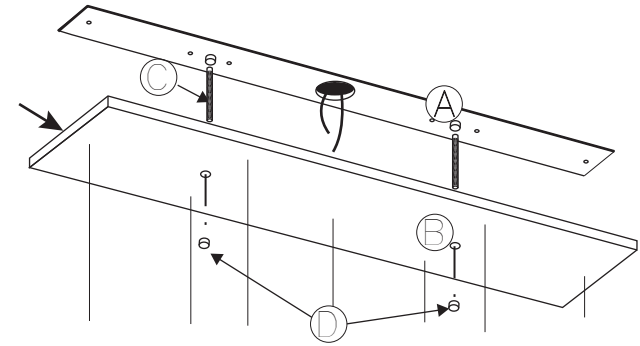
4.



Connect electrical wire to the power

FLYING LINES Assembly Guide

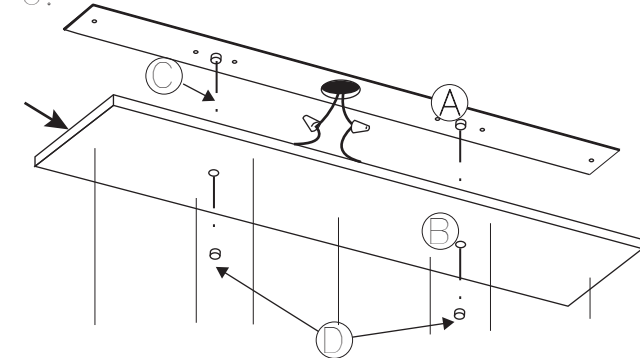
3.



Use support rods (C) provided to hang (B) off of (A)

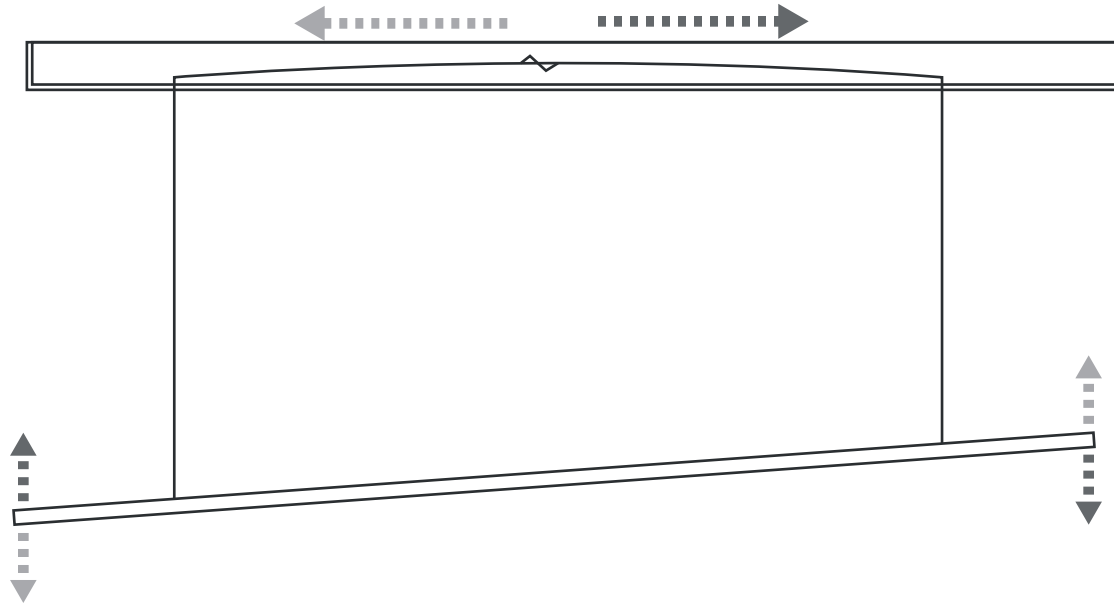
Complete attachment with button head screws (D)

6.



Remove rods and attach (B) to (A) with the button head screws (D)

7.



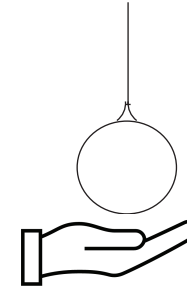
'Lines' can be leveled out by adjusting connecting wire left or right in the ceiling base.

1.



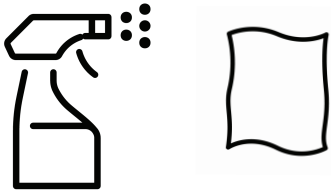
- Dust the cord/rope/chain with a duster.

2.



- Hold the glass pendant/light fixture and gently wipe with a duster or microfiber cloth to remove dust.

3.

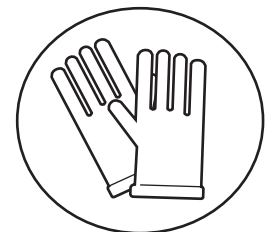


- For spot cleaning, use any good glass cleaner and a microfiber cloth.
⚠ Do **NOT** spray directly onto the light fixture/ glass pendant

4.



- Finish by gently wiping down the pendant with a soft, dry microfibre cloth.



Always use gloves when handling glass